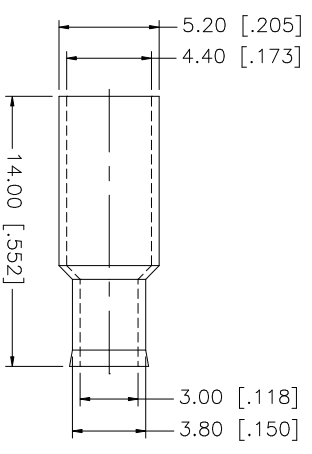
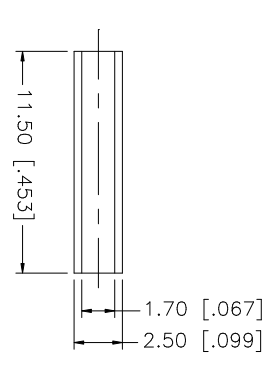
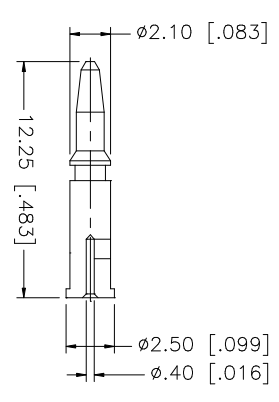
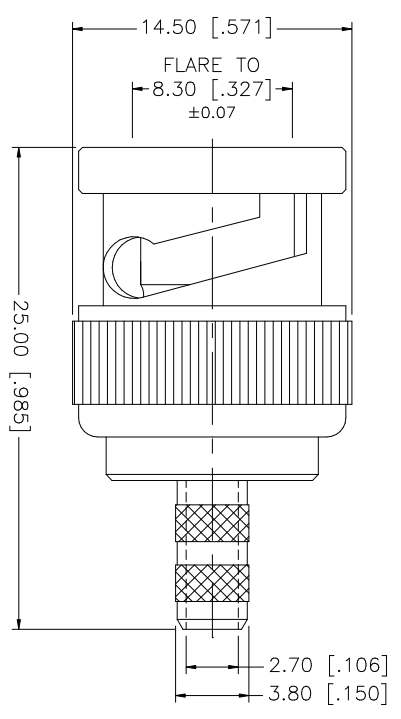
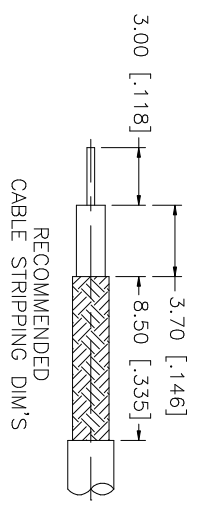


REV.	DATE	DESCRIPTION
A	02/28/02	MODIFY CONTACT PIN AND BODY LENGTH
B	04/04/03	UPDATE DRAWING FORMAT



- CRIMP NOTES:
1. CRIMPED FERRULE  
HEX CRIMP SIZE .178"
  2. CRIMPED CONTACT PIN  
HEX CRIMP SIZE .068"

QTY	FINISH	MATERIAL	DESCRIPTION
1	NICKEL	COPPER	FERRULE
1	NATURAL	DELIRIN	SLEEVE
1	GOLD	BRASS	CONTACT PIN
1	NATURAL	DELIRIN	INSULATOR
1	NICKEL	BRASS	SHELL/BODY

APPROVALS	DATE
G.R.S.	04/04/03

UNLESS OTHERWISE SPECIFIED DIMENSIONS ARE IN MILLIMETERS. DIMENSIONS IN [ ] ARE IN INCHES AND FOR CUSTOMER REFERENCE ONLY.
UNLESS OTHERWISE SPECIFIED TOLERANCES FOR MILLIMETERS ARE: 0.5 - 8mm ± 0.20mm 8 - 30mm ± 0.40mm 30 - 120mm ± 0.50mm
UNLESS OTHERWISE SPECIFIED TOLERANCES FOR INCHES ARE: .020 - .315 = ± 0.007" .315 - 1.180 = ± 0.015" 1.180 - 4.724 = ± 0.020"

PART NO.	DESCRIPTION
112133	BNC CRIMP PLUG - 75 ohms (RG 179/U, 187/U CABLE)

DO NOT SCALE DRAWING	CAD FILE	DWG. NO.	REV.	SIZE	SCALE
	C:/112/112133.DWG	112133.DWG	B	A	NA

**Amphenol Connex**